

NatureFilter 4c

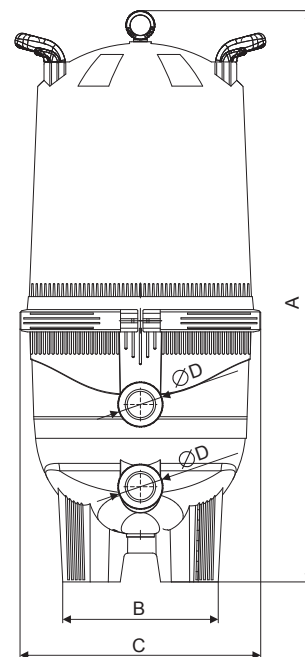


Nature Filter 4c (NF4c) cartridge filter elements are made from Remay anti-bacterial materials, best known for its filtration, durability and longevity. The filter is designed for maximum flow rates for the best performance. When water passes through the elements, the unique design of the fibres traps the finest debris.

The cartridges will filter finer dirt particle (10 microns) as for sand filter (between 40-60 micron) providing you the cleanest pool with water that glitters in the sunlight. The NF4c cartridge filters is constructed to be durable and corrosion resistant for heavy duty use. The compact design of the NF4c cartridge filter fits easily into tight spaces.

The NF4c cartridge filter does not require backwashing. Every time a sand filter is backwashed you use on average 1,500 litres of water which means thousands of litres of water is wasted each year! The design of the NF4c cartridge filter has a larger filter surface area, compared to standard sand filters, resulting in less maintenance.

With the NF4c cartridge filter you simply remove the cartridges, hose them down and place them back in the body. Making the NF4c one of the best water conserving filters on the market



Cartridge Filter Dimensions

Model	A(mm)	B(mm)	C(mm)	D(inch)
NF320	1070	430	616	2
NF420	1220	430	616	2
NF520	1370	460	616	2

Cartridge Filter Specifications

Model	Filter area		Connect size		Max. flow		Max. working pressure
	Ft ²	m ²	Inch	mm	lpm	m ³ /h	bar
NF320	320	29.7	2	63(60)	496.8	29.8	3
NF420	420	39	2	63(60)	533.4	32	3
NF520	520	48.3	2	63(60)	566.8	34	3

NatureFilter 1c



Nature Filter 1c (NF1c) cartridge filter elements are made from Remay anti-bacterial materials, best known for its filtration, durability and longevity. The filter is designed for maximum flow rates for the best performance. When water passes through the elements the unique design of the fibres traps the finest debris.

The cartridges will filter finer dirt particle (10 microns) as for sand filter (between 40-60 micron) providing you the cleanest pool with water that glitters in the sunlight. The NF1c cartridge filters is constructed to be durable and corrosion resistant for heavy duty use. The compact design of the NF1c cartridge filter fits easily into tight spaces.

The NF1c cartridge filter does not require backwashing. Every time a sand filter is backwashed you use on average 750 litres of water which means thousands of litres of water is wasted each year! The design of the NF1c cartridge filter has a larger filter surface area, compared to standard sand filters, resulting in less maintenance.

With the NF1c cartridge filter you simply remove the cartridges, hose them down and place them back in the body. Making the NF1c one of the best water conserving filters on the market

Cartridge Filter Dimensions					
Model	A(mm)	B(mm)	C(mm)	D(inch)	E(mm)
NF25	428	383	235	1.5	402
NF50	677	632	235	1.5	402
NF100	930	885	235	1.5	402

Cartridge Filter Specifications							
Model	Filter area		Connect size		Max. flow		Max. working pressure
	Ft ²	m ²	Inch	mm	lpm	m ³ /h	bar
NF25	25	2.3	1.5	50(48)	46.7	2.8	3
NF50	50	4.7	1.5	50(48)	95.0	5.7	3
NF100	100	9.3	1.5	50(48)	190.0	11.4	3

* Flow rate is determined by the pump size and the piping system.

